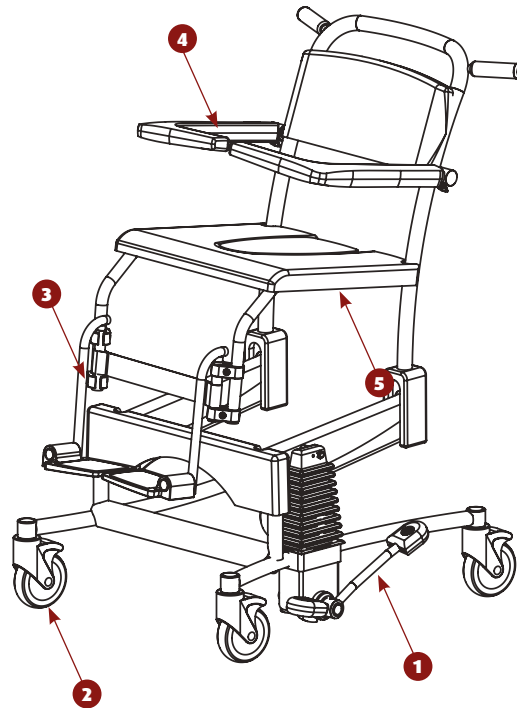


# Instruction card

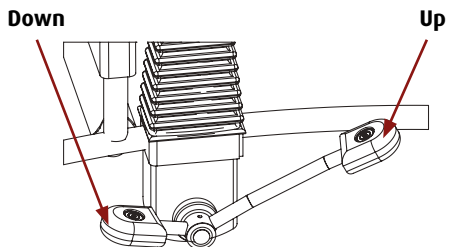
## Flexo



### Safety Instructions

- Read the user manual carefully before use.
- Maximum load: 135kg.
- Ensure that the brakes are applied to the chair during patient transfers to and from the chair.
- Set the foot supports to the correct height.
- Armrests closed during height adjustment.

### 1 Height adjustment

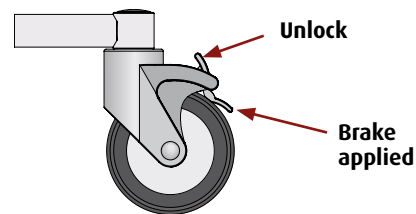


**TAKE CARE** not to trap bodily parts when lowering.

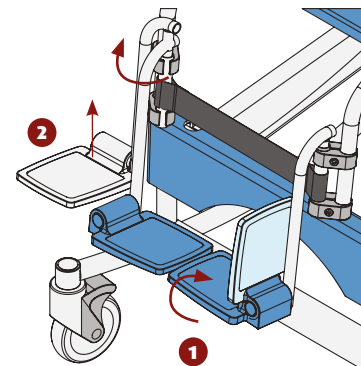
### Important!

This instruction card should not be seen as a replacement for the user manual.

### 2 Brakes



### 3 Foldable foot supports

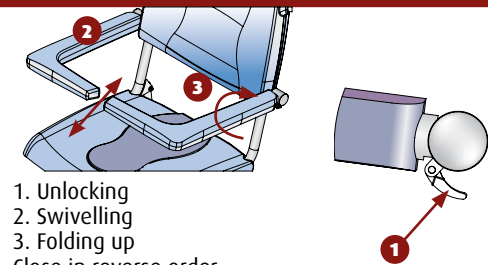


Both foot supports need to be folded away when the patient sits down on the chair.

This can be done by folding up the footplates (1) or folding up and swivelling the complete support outwards (2).

Ensure that the patient has both feet on the foot supports when manoeuvring.

### 4 Armrests



1. Unlocking
  2. Swivelling
  3. Folding up
- Close in reverse order.

### 5 Bucket or bedpan holder

When using a bucket or bedpan, the seat cover needs to be removed and the bucket or bedpan inserted from behind, under the seat, in the special holder before the user sits down on the chair.

### Cleaning

After use each time, the Flexo must be cleaned with hot water and a normal household detergent. Do not use a scourer or any other aggressive solvent. Check the wheels regularly for any hairs, dirt and remains of soap and remove if necessary.

In the event of defects, contact your dealer.