

Instruction card

Luxal

Safety Instructions

- Read the user manual carefully before use.
- Maximum load: 180 kg.
- Ensure that the brakes are applied on the Luxal during patient transfers to and from the stretcher.
- Side rails should be locked in place when moving the Luxal.

1a Operation

Up



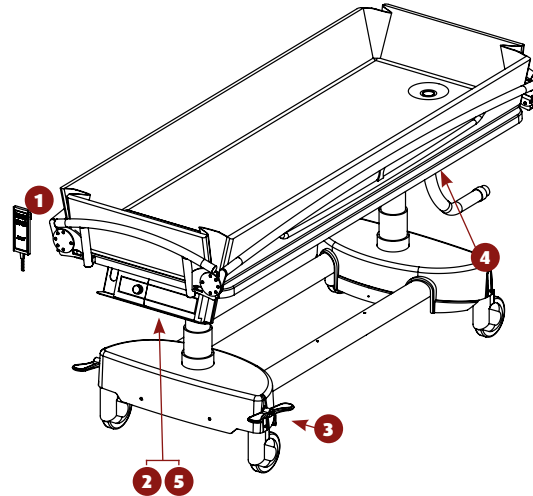
Down



Drainage side up



Drainage side down for release of water

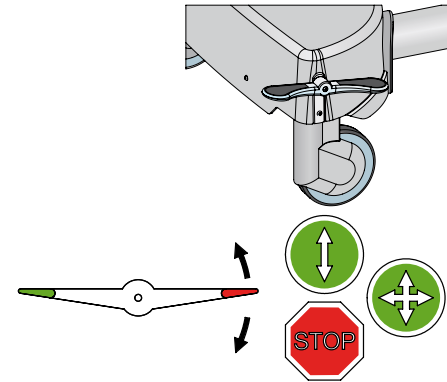


1b Operation/ use

Set the stretcher to the correct height.
Let the side rails down.
Put the stretcher in the correct position (e.g. against the bed).
Lock the wheels.
With the aid of the Easy Slide, transfer the patient onto the Luxal.
Raise the surface of the stretcher a few centimetres.
Close the opened side rail.
Release the brakes on the Luxal.
Tilt the foot end down to allow the water to drain away after or during washing.

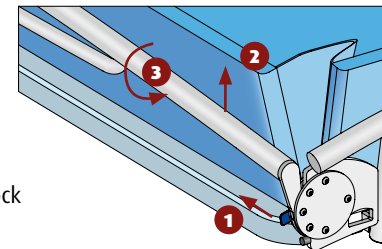
TAKE CARE not to tilt the stretcher too much whilst occupied by the patient.

3 Brakes / Forward movement



Inside lever down: Brakes applied
Horizontal setting: Brakes released
Outside lever down: Forward movement

4 Opening and closing the side rail

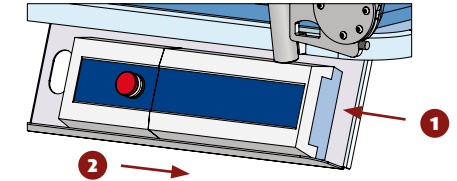


1. Unlock
2. Lift
3. Turn

When closing, side rail automatically locks in place. **TAKE CARE** that the helix cable for manual operation does not get trapped when the side rail is locked.

5 Changing battery

If the acoustic signal can be heard the battery needs changing.



1. Unlock, 2. Remove battery

Drainage

For effective drainage of water when showering, the hose must lead to a receptacle at a lower point. To do this, take the hose off the hook at the foot end.

Charging

Attach empty battery to the battery charger. The green light indicates that the charger is on. The orange light indicates that the battery is being charged and this will go out when the battery is recharged. The recharged battery can stay attached to the charger.

Unlock the battery with one hand before removing, whilst supporting the battery with the other hand.

Cleaning

After use each time, the Luxal must be cleaned with hot water and a normal household detergent. Do not use a scourer or any other aggressive solvent. Check the wheels regularly for any hairs, dirt and remains of soap and remove if necessary.

In the event of defects, contact your dealer.

Important!

This instruction card should not be seen as a replacement for the user manual.