



Creating balance in healthcare



Elexo Shower-toilet chair



5100 5500

Elexo Shower-toilet chair



- Simple electric high / low adjustment.
- Handcontrol with battery indicator.
- With sleep mode setting after 60 minutes.
- Maximum weight 180 kg.
- Lowest position 50 cm, highest position 105 cm.
- Frame width 68 cm, dept 83 cm.
- Tilt adjustment to a maximum of 17 degrees.
- Upholstered seat with toilet opening.
- Inlay for the toilet opening.
- Foldable upholstered armrests with front lock for sideways transfer.
- Ergonomically formed seat and backrests.
- Fold-out footrests with calf protection.
- Fold-away and removable leg supports.
- Rail for toilet bucket or bedpan.
- Four plastic castors, fitted with brakes.
- Extremely stable due to the fitting of 2 lifting motors.
- Simple to recharge, with charger included.

5100 5500

Elexo Shower-toilet chair with removable leg supports

Caring for clients / residents with traditional shower-toilet seats is heavy work. Care staff are obliged to work in unnatural postures and suffer from static back strain. Lopital offers relief with the height-adjustable Elexo shower-toilet seat.

The Elexo provides comfort and security for both carers and clients/residents. Its flexible height reduces back strain suffered by carers to a minimum, which allows the Elexo to make an important contribution to the healthcare sector health and safety policy.

The electric height-adjustability ensures that the seat reaches a maximum tilting angle of 17 degrees when at its maximum height, thereby creating the optimum seating balance for the client / resident.





Ergonomically formed seat with inlay.



Option: *comfort legrests.*



6950 1104 Plastic bedpan.



Independent, fold-up upholstered armrests with front lock.



Handcontrol with battery indicator.



Charge point with magnetic coupling.



Lowest position 50 cm.

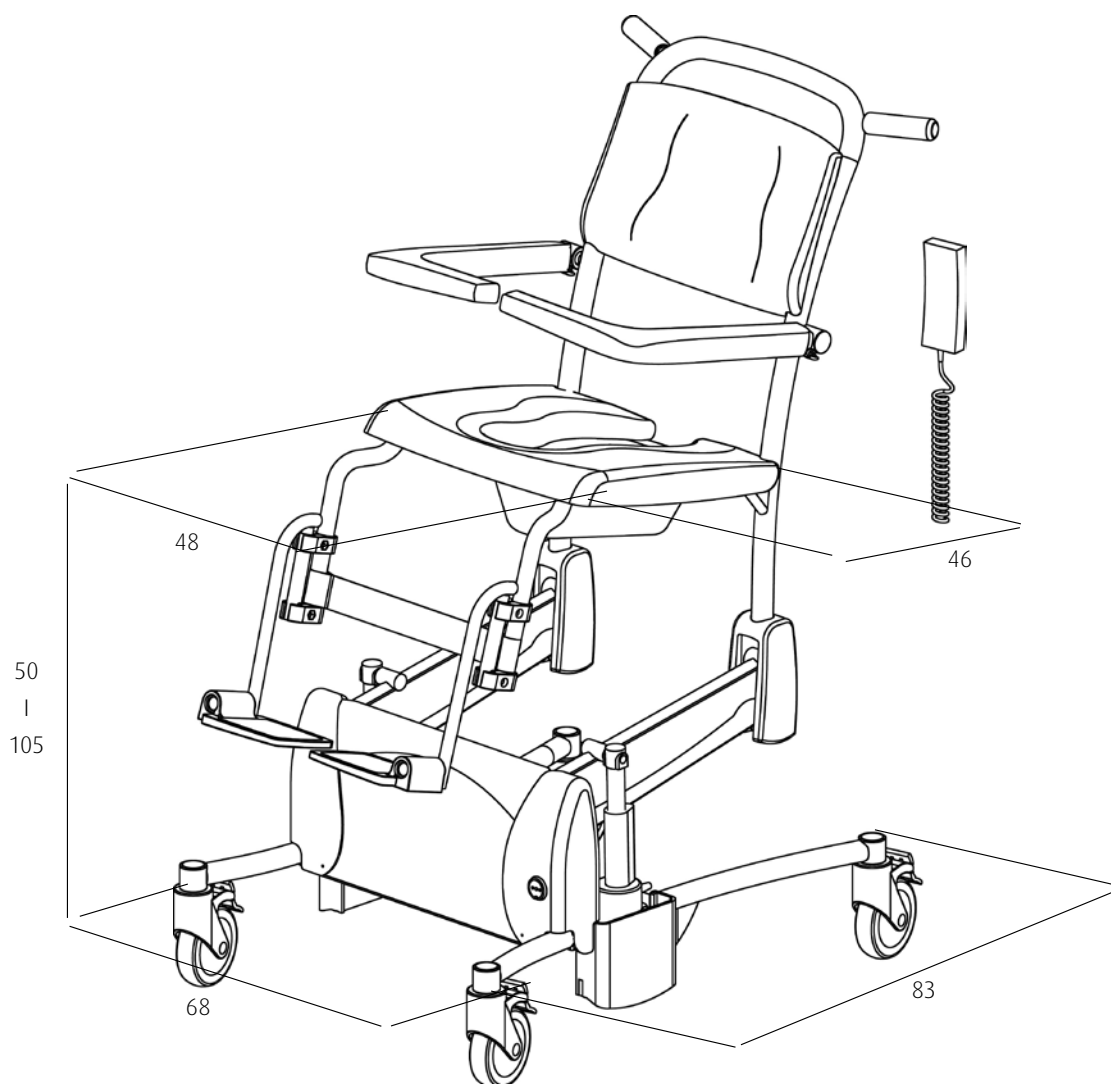


17 degree tilt adjustment.

Technical specifications

- | | | | |
|-----------------------------|--------------|----------------------------|--------------------|
| • Seat width: | 48 cm | • Total width basic frame: | 68 cm |
| • Seat depth: | 46 cm | • Own weight: | 50 kg |
| • Adjustable seat height: | 50 to 105 cm | • Electrical power: | 24 V |
| • Max. load: | 180 kg | • Battery capacity: | 7Ah |
| • Wedge setting: | 0° to 17° | • Charger: | 220V 50/60Hz 500mA |
| • Total length basic frame: | 83 cm | | |

The Elexo is a product with CE marking. This marking complies with Directive 93/42/EU, and the revised Directive 2007/47/EU for medical aids of March 2010.



For more information, visit our website: www.lopital.com

Lopital Nederland B.V., Laarakkerweg 9, 5061 JR Oisterwijk, Postbus 56, 5060 AB Oisterwijk
 Tel +31 (0)13 5239300, Fax +31 (0)13 5239301, E-mail info@lopital.nl, www.lopital.nl

