



Creating balance in healthcare



# Tango XXL Shower-toilet chair



5100 5800

# Tango XXL Shower-toilet chair



5100 5800

## Tango XXL Shower-toilet chair

The Lopital Tango XXL is a shower-toilet chair providing obese clients care in a responsible manner.

The Tango provides optimum comfort for the caregiver as well as the client.

The Tango XXL can be used as a showerchair as well as a toiletchair that can be wheeled over the toilet. The extra seat width and depth and the attractive design makes the Tango XXL chair a nice looking and user-friendly product caring for obese clients.

The ergonomic shaped backrest and seat provide comfort and security. The extended armrests can fold away completely. The large comfortable footrests including the calf support can be swiveled or removed. Because of that it is easy to sit down or stand up.

- Maximum load 360 kg / 800 lbs.
- Mobile.
- 3 plastic castors fitted with brakes.
- 1 direction wheel.
- Rail for bedpan or toilet bucket.
- Extended and fully foldable armrests.
- Two-piece seat opened at two sides.
- Swing-out and removable footrests. Height adjustable.

### Options

- Product no. 6950 1104 Plastic bedpan and lid.
- Product no. 6975 8044 Safety belt.
- Product no. 6975 8045 Four point safety belt.





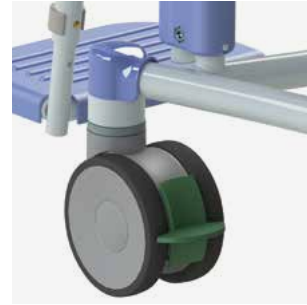
Suitable for people with a mild to moderate disability



*Two parted seat with front and back openings. Easy removable snaplock seat.*



*Independent, foldable armrests.*



*Direction wheel.*

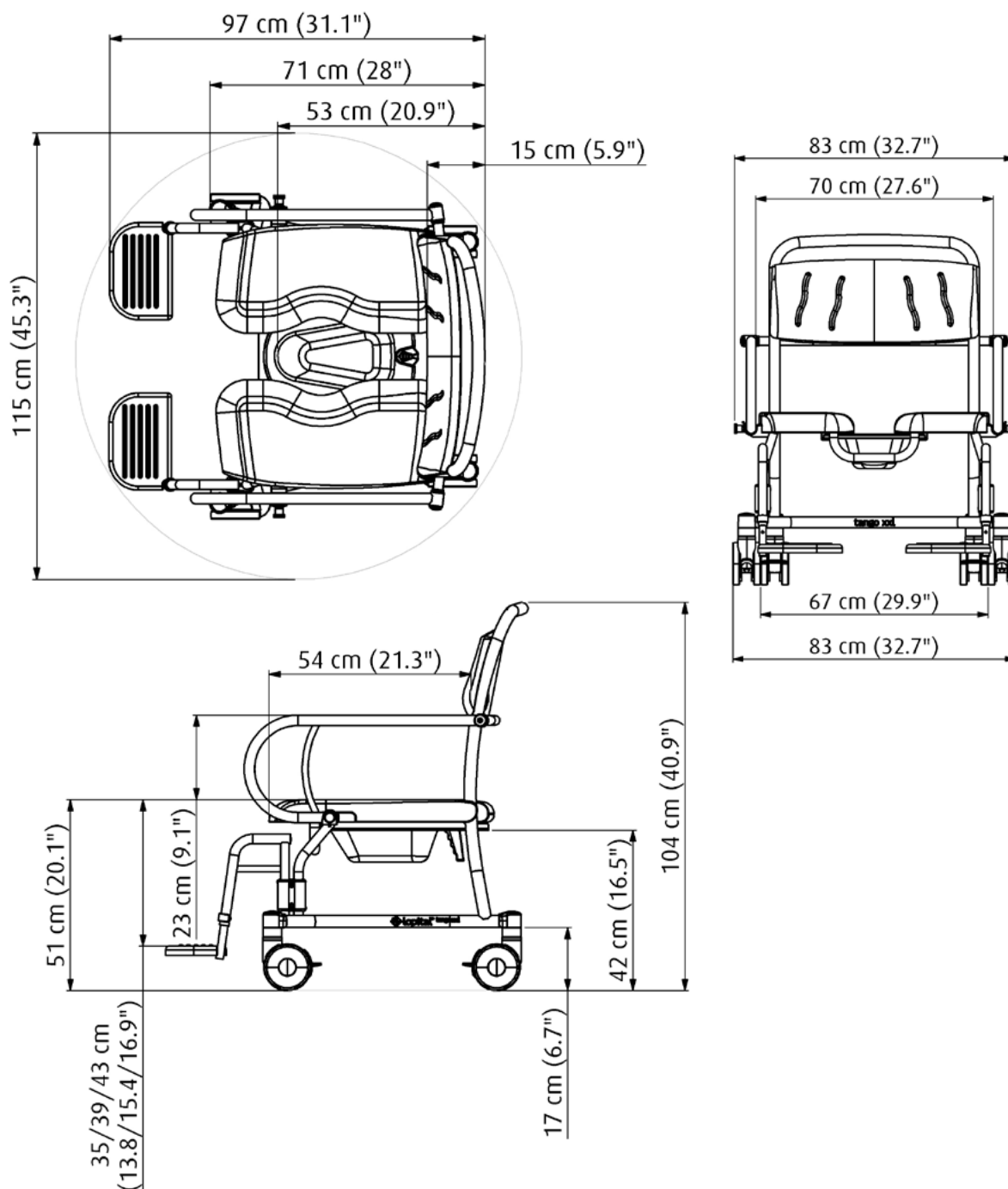


*Swing-out and removable footrests. Height adjustable.*



## Technical specifications

- Max. load 360 kg / 800 lbs
- Product weight 31 kg / 68.3 lbs
- Seat width 70 cm / 27.6 inch
- Seat depth 54 cm / 21.3
- Seat height 51 cm / 20.1 inch
- Total length base frame 97 cm / 31.1 inch
- Total width base frame 83 cm / 32.7 inch
- Turning radius 115 cm / 45.3 inch



For more information, visit our website: [www.lopital.com](http://www.lopital.com)

Lopital Nederland B.V., Laarakkerweg 9, 5061 JR Oisterwijk, Postbus 56, 5060 AB Oisterwijk  
 Tel +31 (0)13 5239300, Fax +31 (0)13 5239301, E-mail [info@lopital.nl](mailto:info@lopital.nl), [www.lopital.nl](http://www.lopital.nl)

