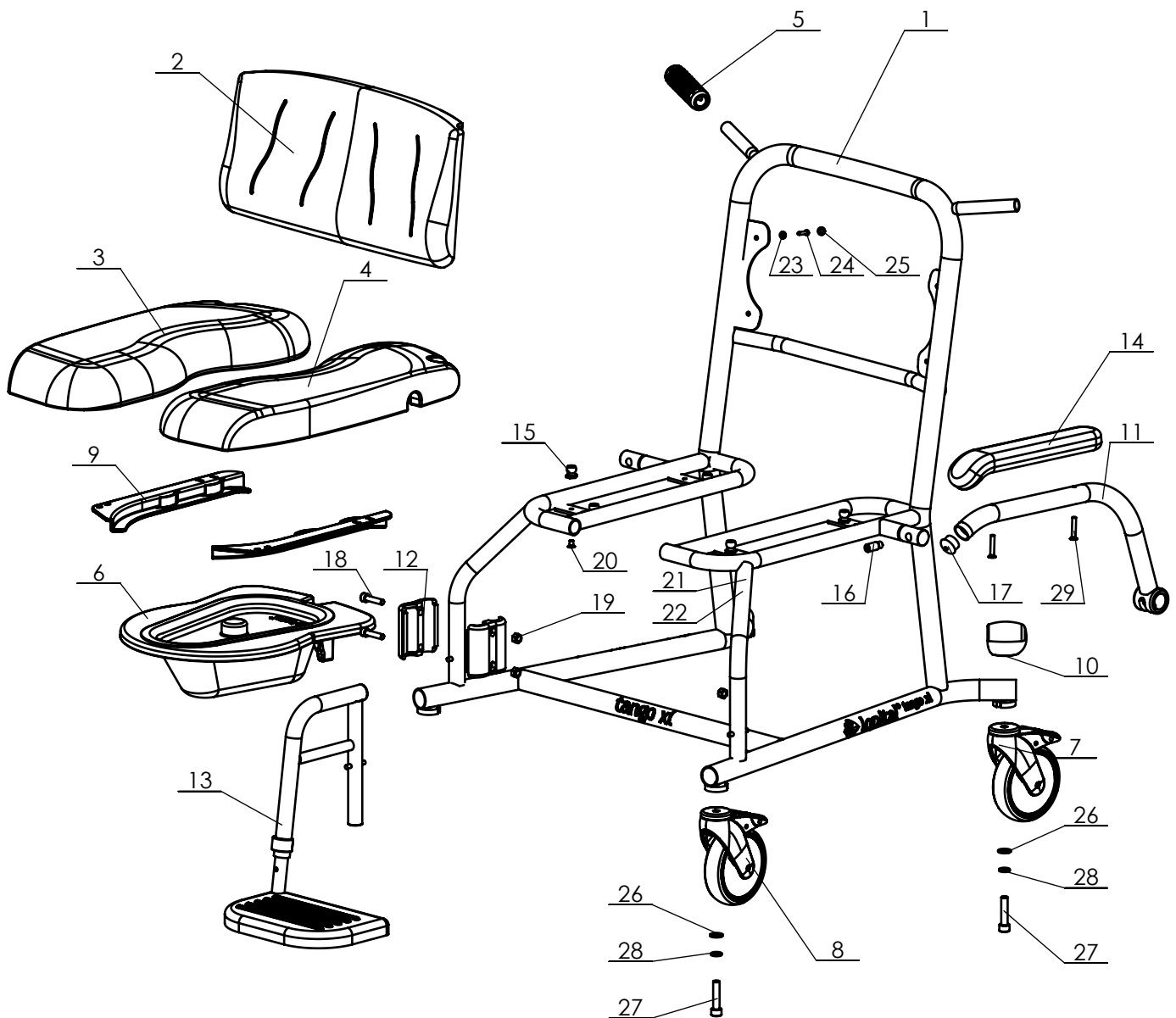


From Serial number 5705.20.001



P:\SW-Ftek\Tango XL 5705\

Signed	KA	Date	08-08-2016
Revised	01 /KA	Date	23-10-2018
Revised	02 /KA	Date	09-12-2019
Copyright reserved by law		Unit of measurement: mm	

Overview parts Tango XL

Lopital Nederland bv

Type nr: 51005705

Tango XL 51005705

Part nr.	QTY.	Art.nr.	Part
1	1	70580001	Frame
2	1	70530009	Backrest
3	1	70570507	Seat Tango XL Right
4	1	70570506	Seat Tango XL (Left)
5	2	70560049	Handgrip
6	1	69501104	Bedpan + lid
7	3	70519928	Castor Ø 125 mm braked
8	1	75560025	Directional Castor Ø 125 mm braked
9	1	69501050	Guide for bedpan set
10	4	70560066	Protective cover wheel
11	2	70565001	Armrest
12	4	70519931	Leg support clamp
13	1	70530017	Height adjustable footsupport (Set)
14	2	70570503	PU part armrest
15	8	70602006	Snaploc
16	2		Stop pin / Fitting bolt M10 Ø12x20
17	2		Tube cap Ø28
18	4		Cylinder head screw M8x35
19	4		Locknut M8
20	8		Countersunk cross slotted screw M6x10
21	4		Washer M5 Ø15
22	4		PAN head cross slotted screw M5x8
23	4		Capring M4
24	4		Chipboard screw 4,5x25
25	4		Screw cap M4
26	4		Washer M10
27	4		Cylinder head screw M10 x 45
28	4		Nord-Lock M10
29	4		Countersunk head screw M6x35



P:\SW-Tek\Tango XL 5705\

Signed	KA	Date	08-08-2016
Revised	01 /KA	Date	23-10-2018
Revised	02 /KA	Date	09-12-2019

Copyright reserved
by law

Unit of measure-
ment: mm

Overview parts Tango XL

Lopital Nederland bv

Type nr: 51005705