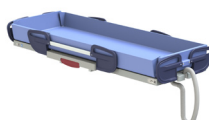




If caregivers have a choice, they choose Lopital



Sirocco basic & deluxe Shower Stretcher



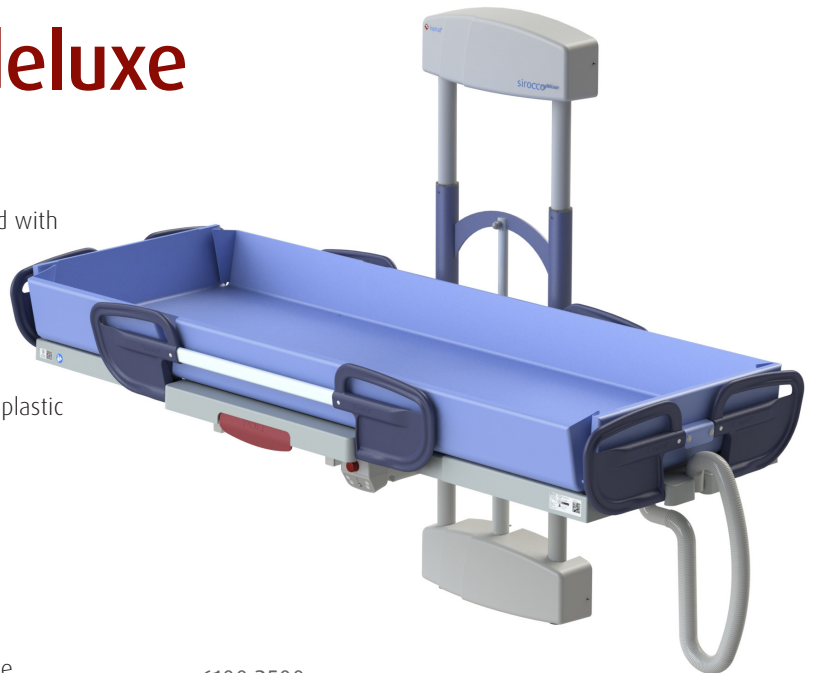


Suitable for people with severely reduced to very severely reduced mobility

6100 2500 / 2510 / 2505

Sirocco basic & deluxe

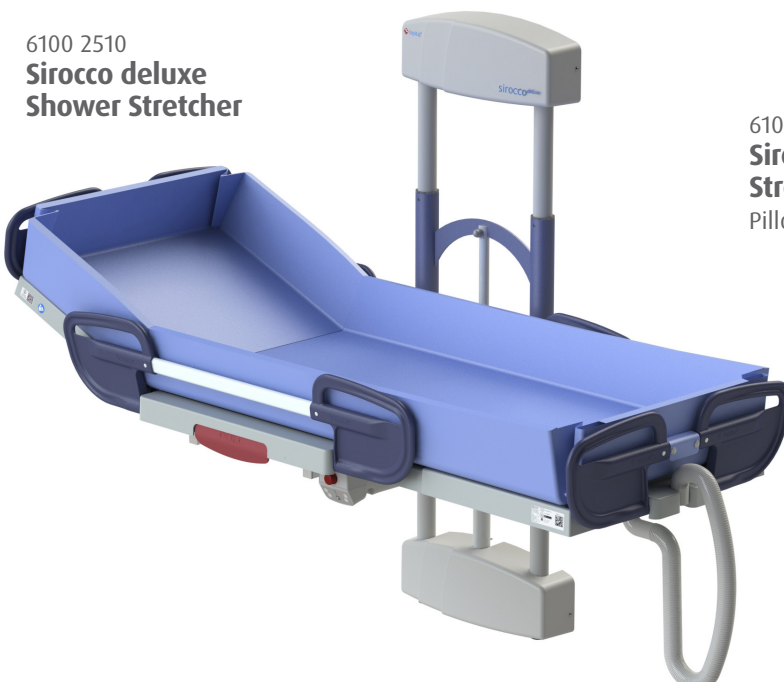
- Maximum load 227 kg.
- Height adjustable, electrically operated and equipped with a removable battery, emergency descent function, emergency stop and user-friendly charger.
- Back adjustment up to 25 degrees (Sirocco deluxe).
- Easy and safe operation of side rails with locking.
- Corrosion resistant due to aluminum, stainless steel, plastic and galvanized parts.
- Sleek finish for optimal cleaning and disinfection.
- 2 position side rail (normal and wide).
- Comfortable mattress, antibacterial, flame retardant and free of harmful plasticizers.
- Water drainage outlet hose left or right.
- Head covers standard with basic, optional with deluxe.



6100 2500
Sirocco basic Shower Stretcher
Pillow included

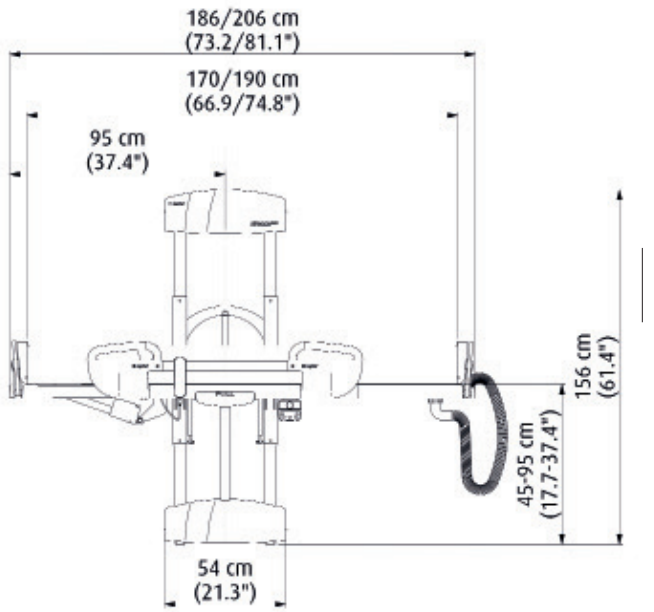


6100 2505
Sirocco basic fixed height Shower Stretcher
Pillow included

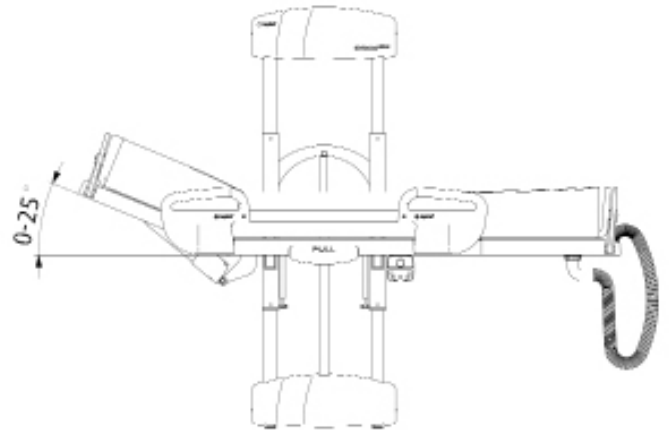


6100 2510
Sirocco deluxe Shower Stretcher

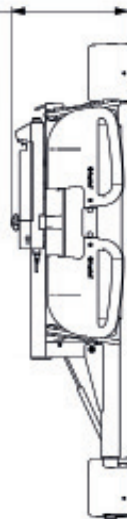
Sirocco basic Shower Stretcher



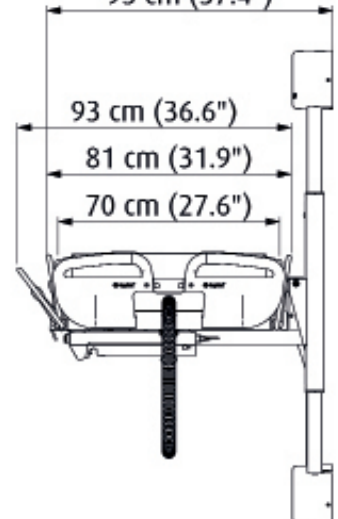
Sirocco deluxe Shower Stretcher



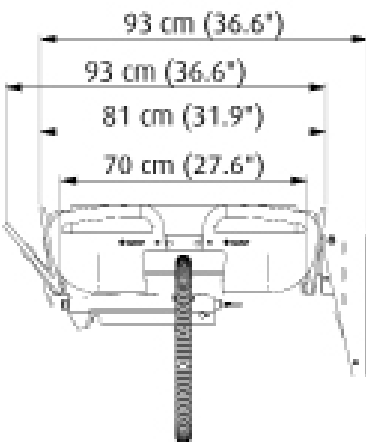
39 cm (15.4")



95 cm (37.4")



Sirocco basic fixed height Shower Stretcher



37 cm (14.6")

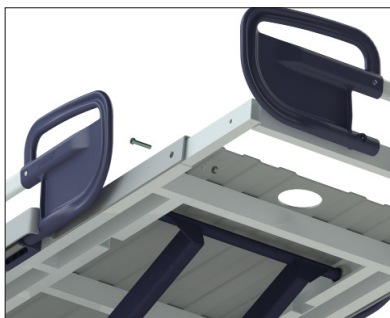


Technical Specifications

- Raise/Lower Electric
- Manual Operation 4-button manual operation, IPX6
- Control box 24VDC, max. 250 W IPX6
- Battery 24V, 2.9 Ah IPX6
- Battery charger 100-240V AC, 50-60 Hz, max. 1A, charging station (wall)

Art.nr.	Art. description	Outside length	Outside width	Inside length	Inside width	High / low	Max. load	Own weight in kg
6100 2500	Sirocco basic Douchebrancard	186 206	93	170-190	70-93	45-95	227	75
6100 2505	Sirocco basic fixed height Douchebrancard	186 206	93	170-190	70-93	-	150	71
6100 2510	Sirocco deluxe Shower Stretcher	186 206	93	170-190	70-93	45-95	227	75
6720 0005	Mattress 186 basic	-	-	170	70	-	-	-
6720 0015	Mattress 206 basic	-	-	190	70	-	-	-
6720 0010	Mattress 186 deluxe	-	-	170	70	-	-	-
6720 0020	Mattress 206 deluxe	-	-	190	70	-	-	-

All measures in this matrix are in centimeters.



With built-in length adjustment



For more information also visit our website: www.lopital.com

Lopital Nederland B.V., Laarakkerweg 9, 5061 JR Oisterwijk, Postbus 56, 5060 AB Oisterwijk
 Tel +31 (0)13 5239300, E-mail info@lopital.nl, www.lopital.nl

All devices manufactured by Lopital comply with the applicable standards for medical products class 1 (MDR (EU) 2017/745)

Copyright ©2025 Lopital. All rights reserved.

