



If caregivers have a choice, they choose Lopital

We proudly present our renewed & improved Lotus.



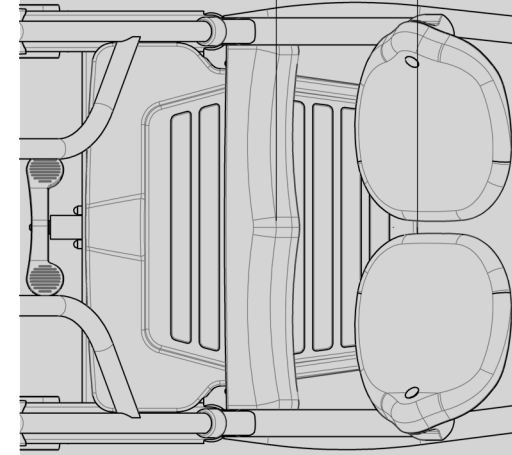
Active standing assistance at its best. Simply rise up.



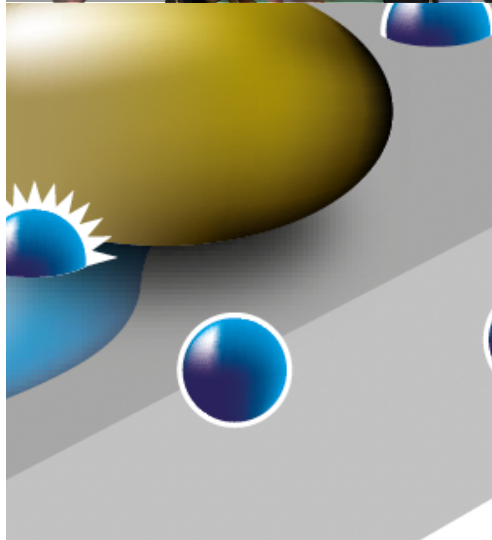
Voice of care



USP's



Technical specifications



Antibacterial coating



Instruction video



**“The Lotus is
indispensable for us.”**

Ineke Driesen

Occupational therapist at Severinus

Ineke Driesen is an occupational therapist who has been working at Severinus for 22 years. Severinus provides support for individuals with intellectual disabilities. The aids from Lopital are not unfamiliar to her. She has been working with them for years. “From shower trolleys to changing tables and from patient lifts to slings. These aids help our staff to perform their work as well and as healthily as possible. Moreover, I find the collaboration with Lopital and their service very pleasant. I always receive clear and thorough advice, and if there is an issue, they resolve it.”

Ten times a day

One of the most frequently used aids at Severinus is the active stand assist, the Lotus. “We have several of these stand assists on-site and use them at least ten times a day. The Lotus is indispensable for us. By maintaining our clients’ standing function, we slow down the decline in their physical condition.” Recently, the Lotus has been improved. The wheels are more

Read more





home

maneuverable, and the knee supports are more universal. With the redesigned Lotus, you have a more active posture, allowing clients to have a natural standing-up movement, and there is also a Lotus Compact for smaller users.

Enthusiastic

Enthusiastic Ineke has had the opportunity to test the improved Lotus in the showroom. She is very enthusiastic. "I was already satisfied with this aid, but with the improvements, it has truly become a top-quality product. Especially the knee supports have been greatly improved. It is now one universal support, instead of two separate ones. As a result, the Lotus is more comfortable for more people to use." Ineke does find it unfortunate that two separate knee supports are no longer available. "In some cases, the two supports are actually more

comfortable." The Lotus is now also available in two sizes: the Lotus compact is specifically designed for smaller individuals. "This is truly a lifesaver for us. Every person is different." Ineke will soon be able to work with the improved Lotus for real. She is looking forward to it. "I know my clients well enough to know that they will be very happy with this. This aid improves their quality of life and clearly reduces the physical strain on the staff."

"I was already satisfied with this aid, but with the improvements, it has truly become a top-quality product."





home



Active standing
assistance at
its best.
Simply rise up.

The Lotus is designed for users with an average height between 1m60 and 1m95 (5'2" and 6'4").
The Lotus compact is designed for users with an average height between 1m30 and 1m65 (4'3" and 5'4").

- Maximum load capacity of 200 kg
- Rotating seat sections
- Mechanical leg spreading
- Wheel locking
- Variable contact points
- Comfortable lower leg supports
- Ideal seating angle
- Convenient maneuvering handle
- Smooth rotating joints
- Sturdy footplate
- 2 Plastic lockable swivel wheels
- Adjustable leg support with height adjustment via rotary knob
- Antibacterial coating on frame.
- Smooth finish for optimal cleaning and disinfection.



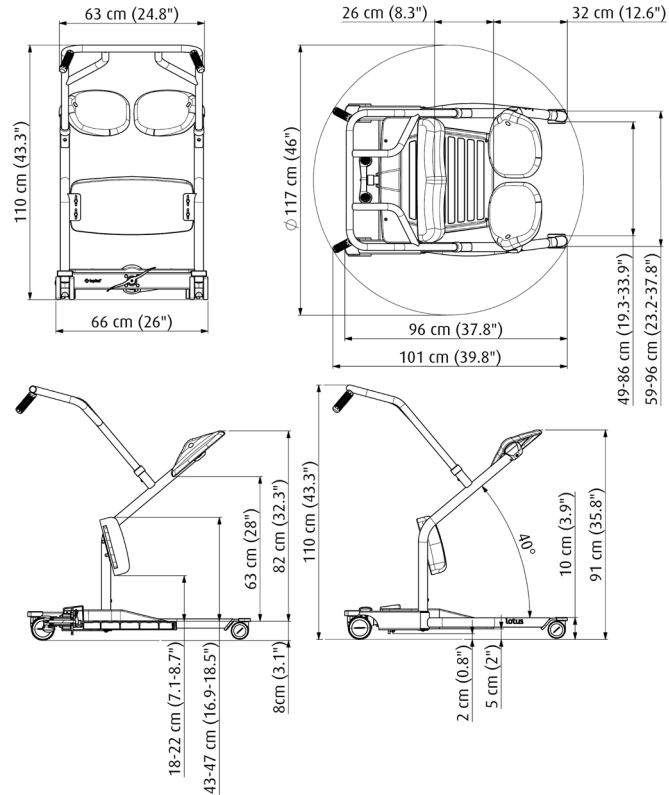
Suitable for people with a mild to moderate disability



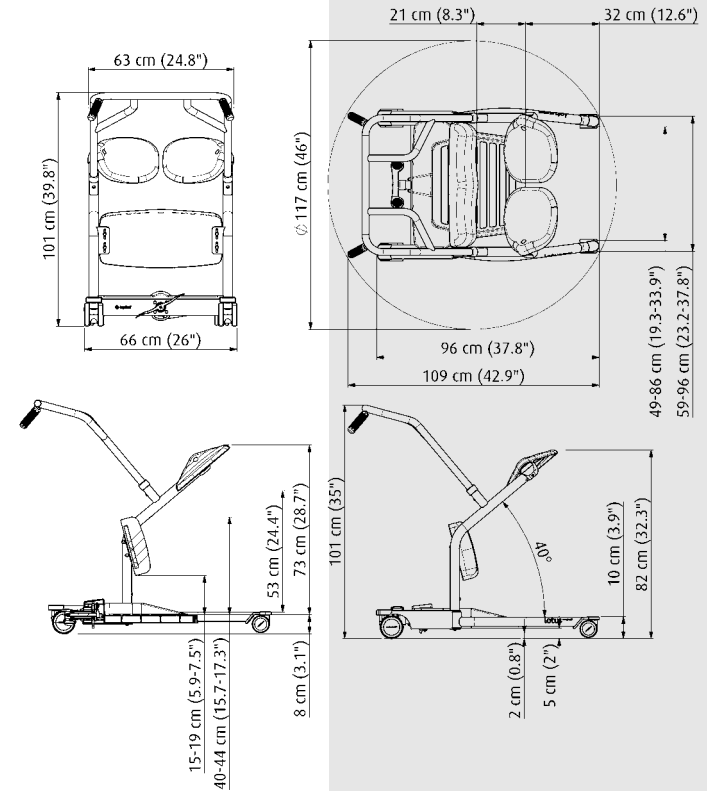
Product no.	Product description	Material	Lifting capacity kg/lbs	Length x width x height	Width legs	Mechanical base spreading	Weight kg	Weight lbs	Client length
5900 8200	Lotus	steel	200 kg 440 lbs	96 cm x 66 cm x 109 cm 37,8" x 26" x 43,3"	66 cm 26"	49 cm - 86 cm 19,3" - 33,9"	32	77	160 cm - 195 cm 63" - 77"
5900 8250	Lotus compact	steel	200 kg 440 lbs	96 cm x 66 cm x 101 cm 37,8" x 26" x 39,8"	66 cm 26"	49 cm - 86 cm 19,3" - 33,9"	32	77	130 cm - 165 cm 51" - 65"

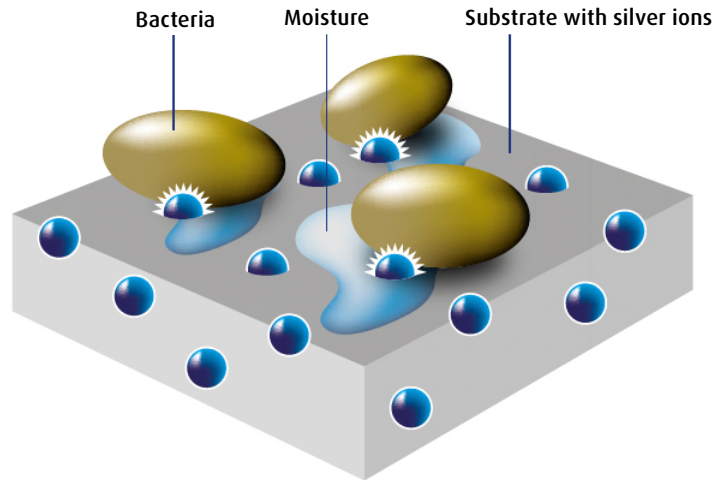
Technical specifications

Lotus

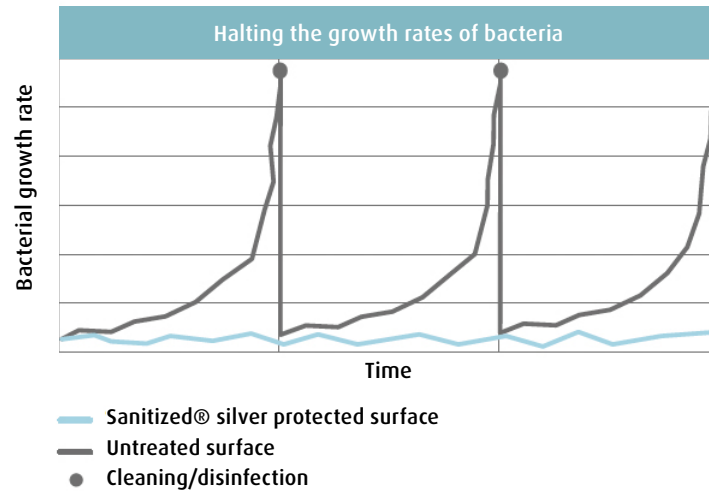


Lotus compact





The silver ion reaches the bacteria through moisture and inactivates it.



Antibacterial coating

The unique functionality of our antibacterial coating is achieved through so-called silver ions. Even in very low concentrations, these ions exhibit strong antibacterial properties: not only can they kill organisms, their unique composition also inhibits their spread. Antibacterial coating is not only resistant to bacteria, but also to algae and fungi. Additionally, it is highly environmentally friendly and non-harmful to humans.

Our antibacterial coating only affects bacteria and fungi attached to the surface. Bacilli dispersed through the air remain unaffected. Antibacterial coating yields optimal results with regular cleaning. While it also exhibits dirt and fluid repellent properties, it does not reduce the need for cleaning.



lopital®

If caregivers have a choice, they choose Lopital

